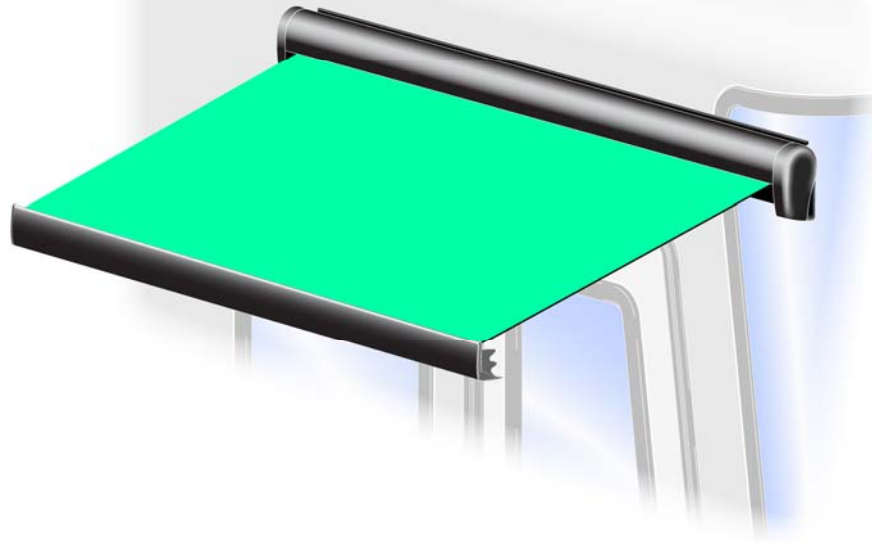




RV

FREEDOM OTD SLIDER AWNING

A MANUAL LATERAL ARM AWNING W/ ADJUSTABLE POSITIONING



Awning shown in camping position.

TABLE OF CONTENTS

Product Overview **1**
 Component Checklist..... 1

Installation **2**
 Lay out the mounting area for the Slider OtD. 2
 Installing the Slider 2
 Mounting the Awning 2

PROPRIETARY STATEMENT

The Freedom Awning is a product of Carefree of Colorado, located in Broomfield, Colorado, USA. The information contained in or disclosed in this document is considered proprietary to Carefree of Colorado. Every effort has been made to ensure that the information presented in the document is accurate and complete. However, Carefree of Colorado assumes no liability for errors or for any damages that result from the use of this document.

The information contained in this manual pertains to the current configuration of the models listed on the title page. Earlier model configurations may differ from the information given. Carefree of Colorado reserves the right to cancel, change, alter or add any parts and assemblies, described in this manual, without prior notice.

Carefree of Colorado agrees to allow the reproduction of this document for use with Carefree of Colorado products only. Any other reproduction or translation of this document in whole or part is strictly prohibited without prior written approval from Carefree of Colorado.

SAFETY INFORMATION

WARNING

A WARNING INDICATES A POTENTIALLY HAZARDOUS SITUATION WHICH, IF NOT AVOIDED, COULD RESULT IN DEATH OR SERIOUS INJURY AND/OR MAJOR PROPERTY DAMAGE.

CAUTION

A CAUTION INDICATES A POTENTIALLY HAZARDOUS SITUATION THAT MAY CAUSE MINOR TO MODERATE PERSONAL INJURY AND/OR PROPERTY DAMAGE. IT MAY ALSO BE USED TO ALERT AGAINST UNSAFE PRACTICES.

NOTE: A note indicates further information about a product, part, or step.

Tip: A tip provides helpful suggestions.

Safety Notes:

- Always wear appropriate safety equipment (i.e. goggles).
- Always use appropriate lifting devices and/or helpers when lifting or holding heavy objects.
- When using fasteners, use care to not over tighten. Soft materials such as fiberglass and aluminum can be "stripped out" and lose the ability to grip.

CAUTION

THE SLIDER AND AWNING HAVE APPRECIABLE WEIGHT. IT WILL BE NECESSARY TO HAVE AT LEAST TWO PEOPLE FOR THIS INSTALLATION. THE SLIDER **MUST** MOUNT INTO THE STRUCTURE OF THE COACH. METAL OR FIBERGLASS WALL IS NOT ADEQUATE TO SUPPORT THE WEIGHT OF THE ASSEMBLY.

PRODUCT OVERVIEW

Freedom Awning Specifications:

- Fully retractable and self storing;
- Canopy is made with woven acrylic fabric;
- Case and frame are constructed of high-strength aluminum extrusions, protected with a polyester paint finish;
- Stainless steel fasteners and hardware.

EXTENSION: 36 inches | **AVAILABLE WIDTHS:** 50", 54"

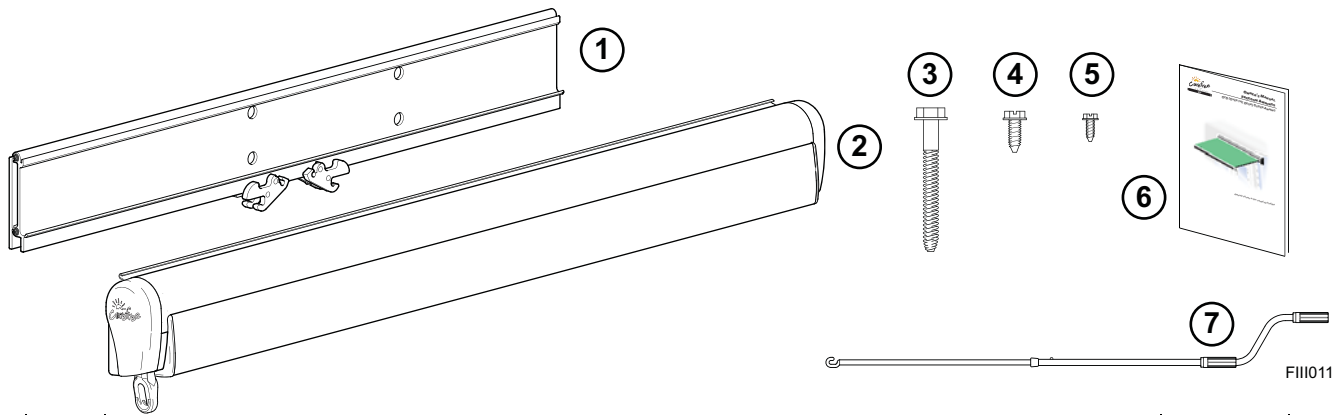
LEADING EDGE POSITION ACTUATION AND CONTROL

<i>Power:</i>	Lateral Arm Spring
<i>Minimum Tension</i>	Open
<i>Position Control:</i>	Roll Out/In Controlled by Manual Crank
SLIDER MOVEMENT:	18 inches
	2 position, positive lock

COLORS AVAILABLE

<i>Case</i>	Standard: Polar White
<i>Fabric</i>	Woven acrylic fabric refer to the sales literature for colors available

COMPONENT CHECKLIST



<input checked="" type="checkbox"/>	ITEM	DESCRIPTION		QTY	NOTE
BASIC ASSEMBLY					
<input type="checkbox"/>	1	Slider Assembly		1	
<input type="checkbox"/>	2	Awning Assembly		1	1
<input type="checkbox"/>	3	Screw, Lag	1/4 x 2 1/2	10	
<input type="checkbox"/>	4	Screw, Hex Head	#12 x 1/2	2	
<input type="checkbox"/>	5	Screw, Hex Head	#6 x 3/8	2	
<input type="checkbox"/>	7	Owner's Manual		1	2
<input type="checkbox"/>	6	Crank Handle		1	

- Notes:
1. Specific awning configuration is specified at time of order, including awning length, fabric, color etc. Check awning assembly against original purchase order.
 2. Place the Owner's Manual (item 6) with RV owner information. Installation manual, if included, is for installer reference.

INSTALLATION

LAY OUT THE MOUNTING AREA FOR THE SLIDER OTD.

1. The mounting area must be flat and unobstructed. It may be necessary to cut the trim molding and or use a spacer to provide the proper mounting surface and clearance for the latch mechanism to be operated. If a spacer is required, a polypropylene sheet measuring 6" x 26" x (required thickness) works well.
2. Mark the desired centerline of awning when in the camping position. This typically coincides with the centerline of the door entrance.
3. From the centerline, confirm that there is adequate clearance toward the rear of the coach for the awning to be moved to the travel position. Adjust the centerline as required to prevent the awning from interfering with any existing equipment such as awnings, light fixtures, exhaust vents, openings, etc.
4. From the centerline, mark a vertical line 4 inches toward the front of the coach. This will be the location of the front edge of the mounting plate.
5. Measure a minimum of 4 inches above the door flange. This will be the location of the bottom edge of the mounting plate.

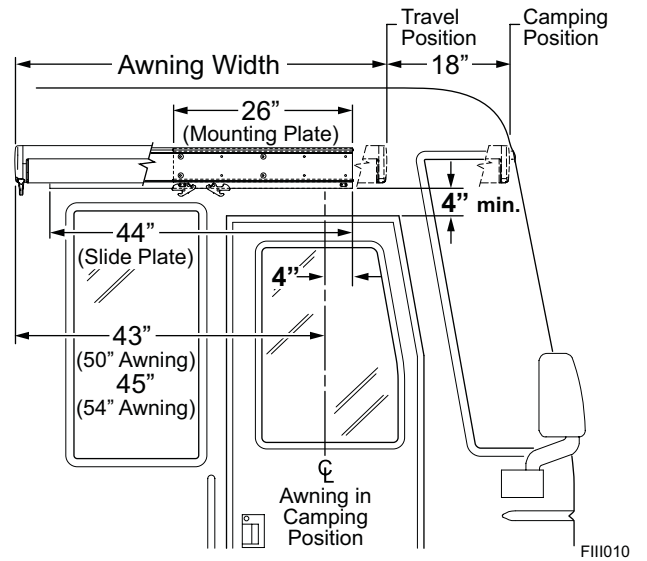


Figure 1. General Dimensions.

INSTALLING THE SLIDER

1. Position the slider mounting plate (and spacer if required) using the marks made previously.
2. 4 access holes are provided through the slide plate. Through the access holes, attach the mounting plate to the coach using 1/4 x 2/12 screws.

NOTE: It will be necessary attach 4 screws then move the slide plate to align with next mounting holes in the mounting plate. There are 10 mounting holes in total.

3. Lock the slide plate in the forward or rear position.

MOUNTING THE AWNING

1. Set the awning into the hooks of the slide plate.
2. Horizontally center the awning on the slide plate.
3. Drill two 1/8" pilot holes through the bottom hook of the slide plate and awning case. Attach the slide plate and awning case using two (2) self-tapping #6 x 3/8 screws.
4. Open the awning using the hand crank.
5. In the approximate areas shown, drill two 11/64" pilot holes through the awning case and slide plate. Use care to not drill through the coach wall or mounting plate.

⚠ CAUTION

THE SCREWS MUST BE LOCATED IN THE OPEN AREAS OF THE AWNING CASE AS SHOWN. THE ARMS CANNOT CLOSE COMPLETELY IF THE SCREW HEADS ARE UNDERNEATH.

10. Secure the awning to the slide plate using two (2) #12 x 1/2 screws.

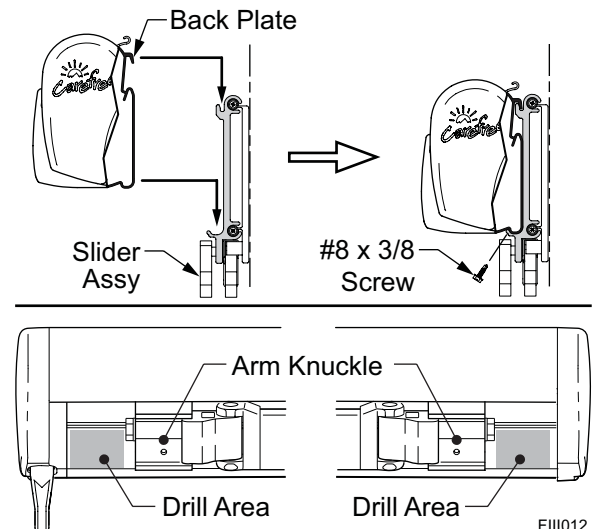


Figure 2. Securing the Awning Case.